

PLEASE CHECK WWW.MOLEX.COM FOR LATEST PART INFORMATION

Part Number: [0475939100](#)
Status: **Active**
Description: 1.01mm (.040") Pitch LGA 1366 Processor Socket B ILM Assembly, with Straight Lever, Stainless Steel, Lead free

Documents:

[Drawing \(PDF\)](#) [RoHS Certificate of Compliance \(PDF\)](#)

General

Product Family	Processor Sockets
Series	47594
Component Type	Socket
Product Name	LGA1366

Physical

Circuits (Loaded)	1366
Circuits (maximum)	1,366
Durability (mating cycles max)	30
Material - Metal	Steel
Packaging Type	Tray
Pitch - Mating Interface (in)	3.150 In
Pitch - Mating Interface (mm)	80.00 mm
Plating min: Mating (µin)	3.15
Plating min: Mating (µm)	80.00
Temperature Range - Operating	-40°C to +88°C
Termination Interface: Style	Surface Mount

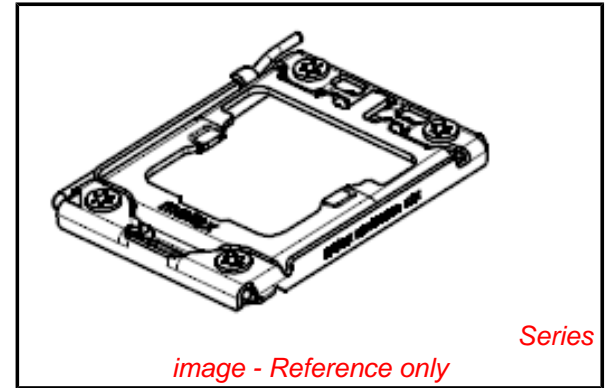
Electrical

Current - Maximum per Contact	0.8A
Voltage - Maximum	5V

Material Info

Reference - Drawing Numbers

Sales Drawing	SD-47593-900
---------------	--------------



EU RoHS

**ELV and RoHS
Compliant**
**REACH SVHC
Contains SVHC: No**
**Halogen-Free
Status**

China RoHS



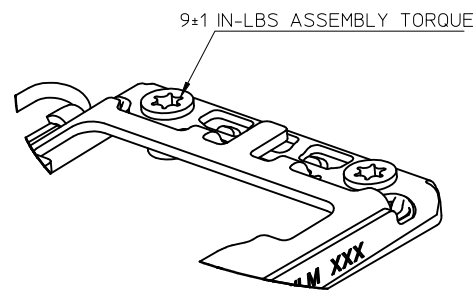
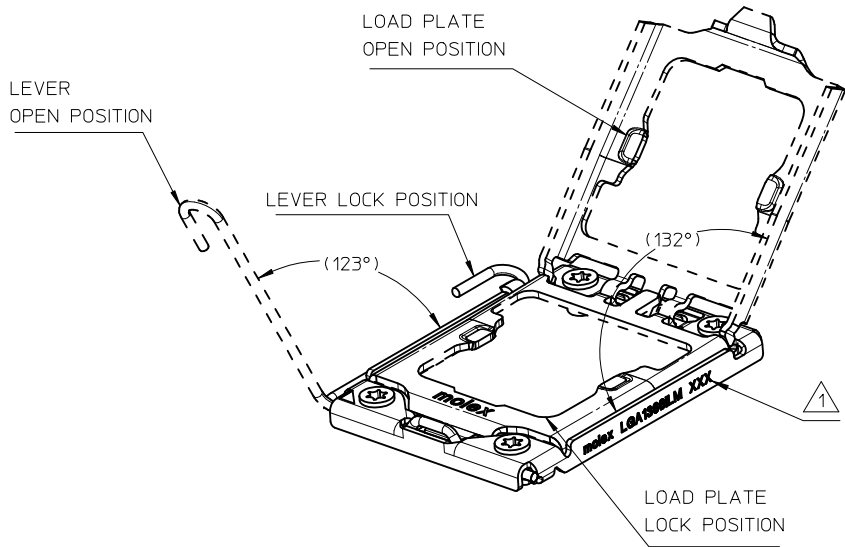
**Need more information on product
environmental compliance?**

Email productcompliance@molex.com
 For a multiple part number RoHS Certificate of Compliance, [click here](#)

Please visit the [Contact Us](#) section for any non-product compliance questions.

Search Parts in this Series

47594Series

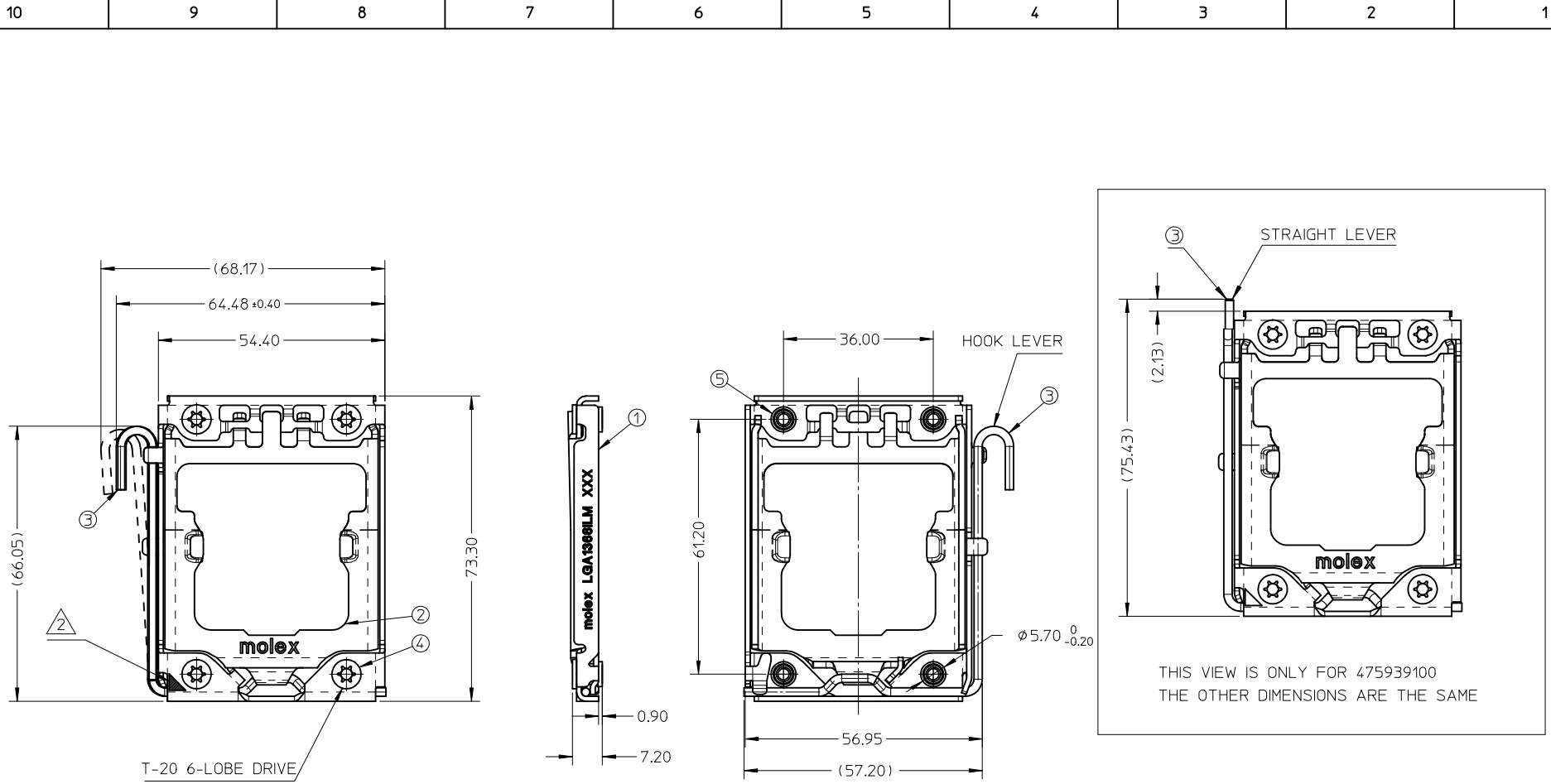


SCALE 2:1
DETAIL 1

- NOTES:
- 1. DATE CODE
 - 2. INK MARKING, FILL AREA WITH BLACK.
 - 3. THE PARTS 475939000/475939100 COMPLIANT TO RoHS DIRECTIVE 2002/95/EC AND ELV 2000/53/EC.

475939005	⑤	4	SOCKET B FASTENER COLLAR	STEEL WITH ZINC PLATING
475939004	④	4	SOCKET B FASTENER NUT	STEEL WITH ZINC PLATING
475939003	③	1	HOOK LEVER	STAINLESS STEEL
475939002	②	1	SOCKET B ILM LOAD PLATE	STAINLESS STEEL
475939001	①	1	SOCKET B ILM FRAME	STEEL WITH NICKEL PLATING
475939000		1	SOCKET B ILM ASSEMBLY	
PART NO.	ITEM NO	QTY	DESCRIPTION	MATERIAL

ENTER DESCRIPTION EC NO: SH2010-0308 DRWN: ZHANG11 2010/01/27 CHKD: 2010/01/27 APPR: WFDENG 2010/02/03	QUALITY SYMBOLS $F_A=0$ $F_G=0$ $F_P=0$	GENERAL TOLERANCES (UNLESS SPECIFIED)		DIMENSION STYLE MM ONLY		SCALE 1:1	DESIGN UNITS METRIC	THIRD ANGLE PROJECTION	
			mm	INCH	DRAWN BY YQSUN	DATE 2008/10/14	TITLE LGA1366 SOCKET B ILM ASSEMBLY		
		4 PLACES	± ---	± ---	CHECKED BY FORD LIU	DATE 2008/10/14	MOLEX INCORPORATED		
		3 PLACES	± ---	± ---	APPROVED BY WFDENG	DATE 2010/01/27			
2 PLACES	± 0.2	± ---	MATERIAL NO.		DOCUMENT NO.	SHEET NO.			
1 PLACE	± 0.3	± ---	DRAFT WHERE APPLICABLE MUST REMAIN WITHIN DIMENSIONS		SEE TABLE	SD-47593-900			
		ANGULAR ± 1/2°		SIZE A3		THIS DRAWING CONTAINS INFORMATION THAT IS PROPRIETARY TO MOLEX INCORPORATED AND SHOULD NOT BE USED WITHOUT WRITTEN PERMISSION			



ENTER DESCRIPTION EC NO: SH2010-0308 2010/01/27 DRWN: ZHANG11 2010/01/27 CHKD: 2010/01/27 APPR: WFDENG 2010/02/03	QUALITY SYMBOLS $F_A=0$ $F_C=0$ $F_P=0$	GENERAL TOLERANCES (UNLESS SPECIFIED)		DIMENSION STYLE MM ONLY	SCALE 1:1	DESIGN UNITS METRIC	THIRD ANGLE PROJECTION		
			mm	INCH	DRAWN BY YQSUN	DATE 2008/10/14	TITLE LGA1366 SOCKET B ILM ASSEMBLY		
		4 PLACES ± --- ± --- 3 PLACES ± --- ± --- 2 PLACES ± 0.2 ± --- 1 PLACE ± 0.3 ± ---			CHECKED BY FORD LIU	DATE 2008/10/14	MOLEX INCORPORATED		
		ANGULAR ± 1/2°			APPROVED BY WFDENG	DATE 2010/01/27	MATERIAL NO. SEE TABLE	DOCUMENT NO. SD-47593-900	SHEET NO. 2 OF 2
		DRAFT WHERE APPLICABLE MUST REMAIN WITHIN DIMENSIONS		THIS DRAWING CONTAINS INFORMATION THAT IS PROPRIETARY TO MOLEX INCORPORATED AND SHOULD NOT BE USED WITHOUT WRITTEN PERMISSION					